



- Notes:
- All dimensions to be confirmed on site prior to installation.
 - All dimensions are indicative only and in mm unless otherwise specified.

Legend:

—	Site boundary
—	Perimeter fence
	Maintenance track (3.5m width)
	Spare parts container
	Medium voltage compact skid (MVCS)
	Site compound area

System description:

DC Power kWp: 4.499MW
 AC Power kVA: 4.5kVA

No. of modules: 6923
 Module type: Trina TSM-650 DEG21C.20 650W

Dimensions: 2384x1303x35

Substructure type: 8 modules vertically
 2 modules horizontally

Tilt angle: 25°
 Orientation: Due South

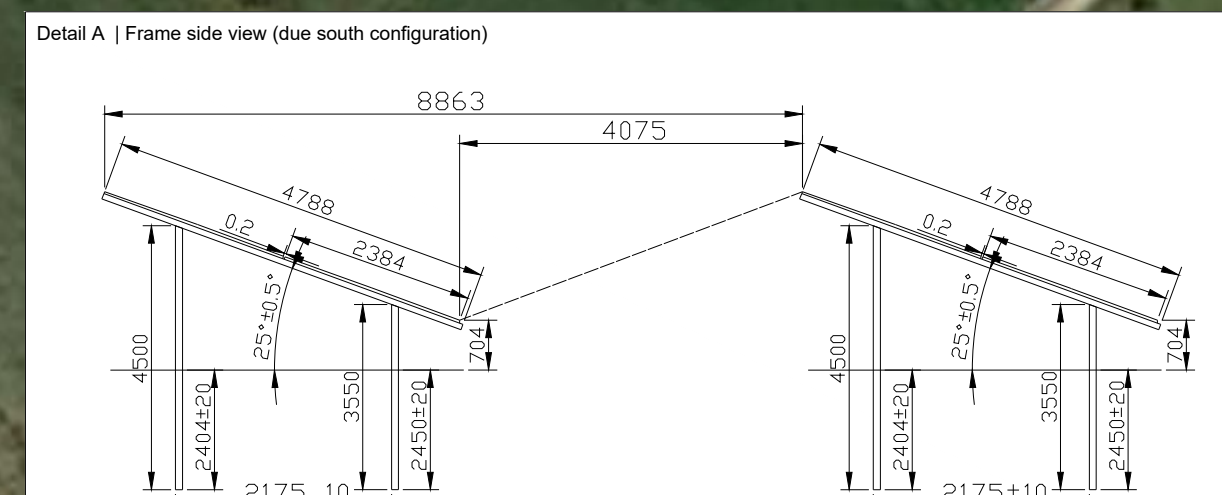
No. of AC inverters: 21
 Inverter type: SUN2000-215KTL-H0



Project: Truskava 4.5MW
 Location: 55.416793, 24.224057

Title: PV Layout
 Drawn: Vejusta Checked:
 Scale: Date: 2022-09-21
 Drawing number.: Rev:

Revisions:	Rev	Date	Comments	Drawn



Vejusta

Address: Akademijos g. 7, Vilnius, Lietuva
 Mail: vr@vejusta.lt
 Phone: +37062625540

Do not scale from this drawing. Site verify all dimensions prior to construction. Report all discrepancies to the drawing originator immediately. This drawing is to be read in conjunction with all relevant documents and drawings.